



TAMA®

AIR FILTRATION
I B E R I C A

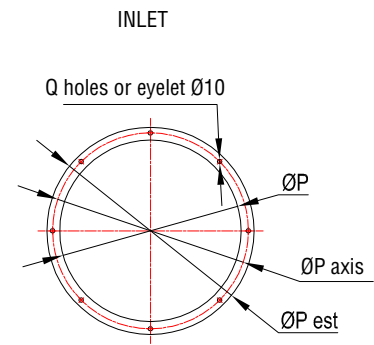
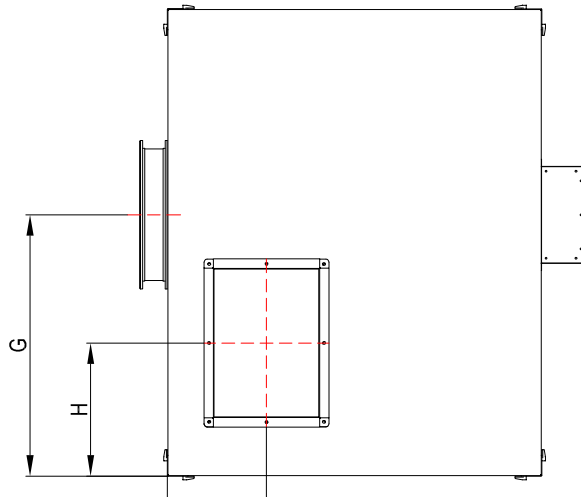
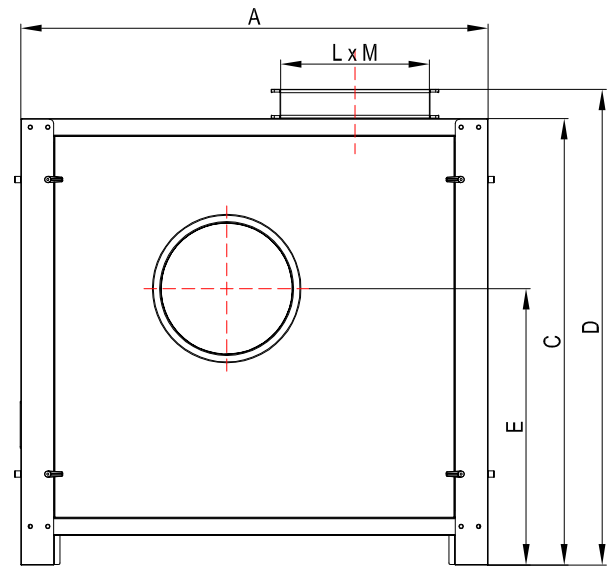
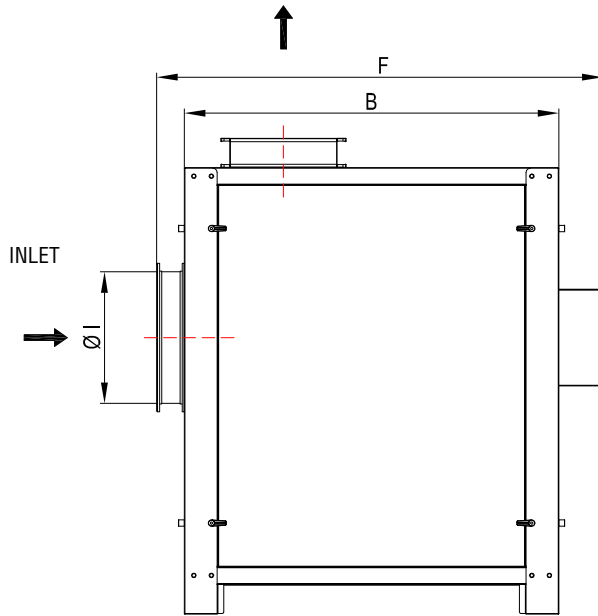
BQ SERIES BOX



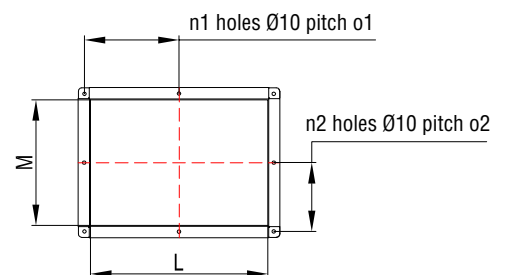
The soundproofing boxes cover a wide range of use and are carefully designed to achieve an effective noise attenuation of each type of fan. The external structure is entirely made of zinc-coated sheet steel panels. The use of high quality soundproof materials, allows a considerable attenuation of sound energy. The Tama's boxes are equipped with suction and line anti-vibration joints, and anti-vibration frames for fan placement.



BQ SERIES BOX



OUTLET



Mod.	A [mm]	B [mm]	C [mm]	D [mm]	E [mm]	F [mm]	G [mm]	H [mm]	I [mm]
BOX BQ 250 - 0.37	800	700	840	940	515	950	465	290	288
BOX BQ 280 - 0.55	850	700	905	1005	575	950	505	300	297
BOX BQ 310 - 1.1	900	800	955	1055	600	1050	545	315	307
BOX BQ 350 - 2.2	950	800	1035	1135	650	1050	585	335	317
BOX BQ 400 - 4	1000	900	1115	1215	700	1150	640	350	359
BOX BQ 450 - 7.5	1100	950	1210	1310	760	1200	690	370	382
BOX BQ 500 - 11	1200	1150	1290	1390	800	1400	725	390	359
BOX BQ 500 - 1.1	1200	900	1290	1390	800	1150	725	390	359
BOX BQ 560 - 15	1350	1200	1400	1500	870	1450	805	415	382
BOX BQ 560 - 18.5	1350	1200	1400	1500	870	1450	805	415	382
BOX BQ 560 - 4	1350	1000	1400	1500	870	1250	805	415	382
BOX BQ 630 - 30	1500	1400	1530	1630	950	1650	885	445	402
BOX BQ 630 - 37	1500	1400	1530	1630	950	1650	885	445	402
BOX BQ 630 - 4	1500	1100	1530	1630	950	1350	885	445	402
BOX BQ 710 - 55	1700	1450	1500	1600	870	1700	985	485	423
BOX BQ 710 - 75	1700	1450	1500	1600	870	1700	985	485	423
BOX BQ 710 - 5.5	1700	1250	1500	1600	870	1500	985	485	423
BOX BQ 710 - 7.5	1700	1250	1500	1600	870	1500	985	485	423
BOX BQ 800 - 90	1900	1500	1645	1745	955	1750	1080	520	448
BOX BQ 800 - 110	1900	1500	1645	1745	955	1750	1080	520	448
BOX BQ 800 - 11	1900	1300	1645	1745	955	1550	1080	520	448
BOX BQ 800 - 15	1900	1300	1645	1745	955	1550	1080	520	448
BOX BQ 900 - 18.5	2100	1550	1810	1910	1050	1800	1190	560	479
BOX BQ 900 - 30	2100	1550	1810	1910	1050	1800	1190	560	479
BOX BQ 1000 - 37	2250	1650	1990	2090	1150	1900	1320	610	510
BOX BQ 1000 - 45	2250	1650	1990	2090	1150	1900	1320	610	510

Mod.	LxM [mm]	n1	o1 [mm]	n2	o2 [mm]	ØP [mm]	ØP axis [mm]	ØP est [mm]	Q [num]
BOX BQ 250 - 0.37	185x170	2	213	2	198	200	233	258	6 fori Ø 10
BOX BQ 280 - 0.55	240x175	2	268	2	203	220	251	278	6 fori Ø 10
BOX BQ 310 - 1.1	260x185	2	288	2	213	250	281	308	6 fori Ø 10
BOX BQ 350 - 2.2	290x205	2	318	2	233	280	313	338	6 fori Ø 10
BOX BQ 400 - 4	320x230	3	174	2	258	315	346	373	6 fori Ø 10
BOX BQ 450 - 7.5	360x255	3	194	2	283	350	381	408	8 fori Ø 10
BOX BQ 500 - 11	405x290	3	217	2	318	400	433	458	8 fori Ø 10
BOX BQ 500 - 1.1	405x290	3	217	2	318	400	433	458	8 fori Ø 10
BOX BQ 560 - 15	450x320	3	239	3	174	450	480	508	10 fori Ø 10
BOX BQ 560 - 18.5	450x320	3	239	3	174	450	480	508	10 fori Ø 10
BOX BQ 560 - 4	450x320	3	239	3	174	450	480	508	10 fori Ø 10
BOX BQ 630 - 30	510x360	3	269	3	194	500	532	558	10 fori Ø 10
BOX BQ 630 - 37	510x360	3	269	3	194	500	532	558	10 fori Ø 10
BOX BQ 630 - 4	510x360	3	269	3	194	500	532	558	10 fori Ø 10
BOX BQ 710 - 55	570x400	3	299	3	214	550	585	615	12 fori Ø 10
BOX BQ 710 - 75	570x400	3	299	3	214	550	585	615	12 fori Ø 10
BOX BQ 710 - 5.5	570x400	3	299	3	214	550	585	615	12 fori Ø 10
BOX BQ 710 - 7.5	570x400	3	299	3	214	550	585	615	12 fori Ø 10
BOX BQ 800 - 90	640x450	4	223	3	239	630	670	700	12 asole Ø10x20
BOX BQ 800 - 110	640x450	4	223	3	239	630	670	700	12 asole Ø10x20
BOX BQ 800 - 11	640x450	4	223	3	239	630	670	700	12 asole Ø10x20
BOX BQ 800 - 15	640x450	4	223	3	239	630	670	700	12 asole Ø10x20
BOX BQ 900 - 18.5	715x510	4	248	3	269	710	750	780	12 asole Ø10x20
BOX BQ 900 - 30	715x510	4	248	3	269	710	750	780	12 asole Ø10x20
BOX BQ 1000 - 37	800x570	4	276	3	299	800	840	870	16 asole Ø10x20
BOX BQ 1000 - 45	800x570	4	276	3	299	800	840	870	16 asole Ø10x20

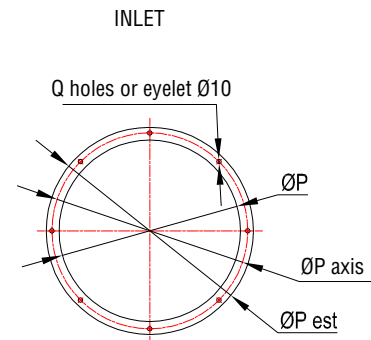
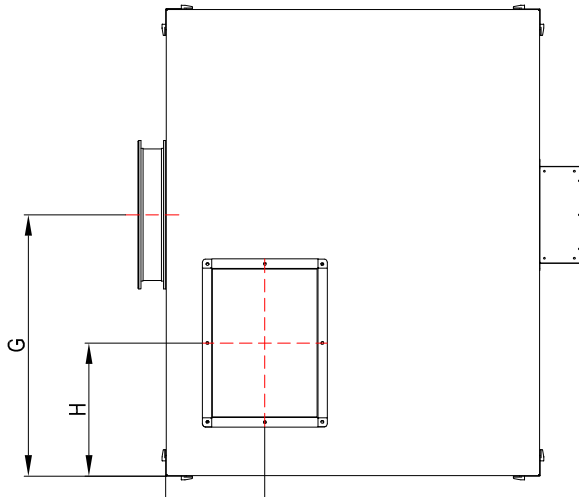
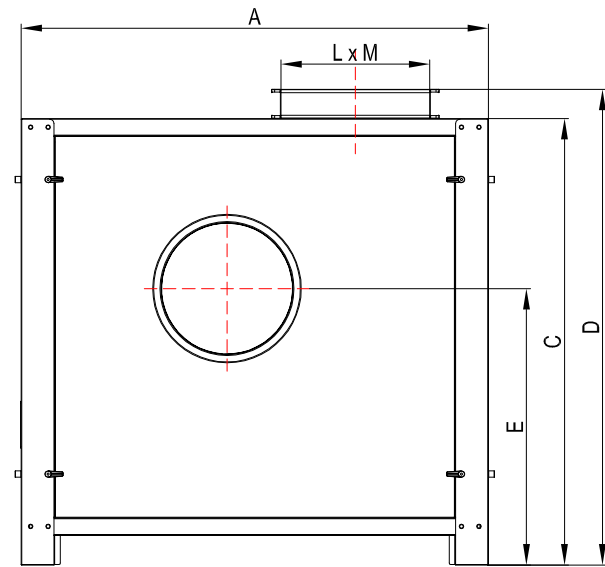
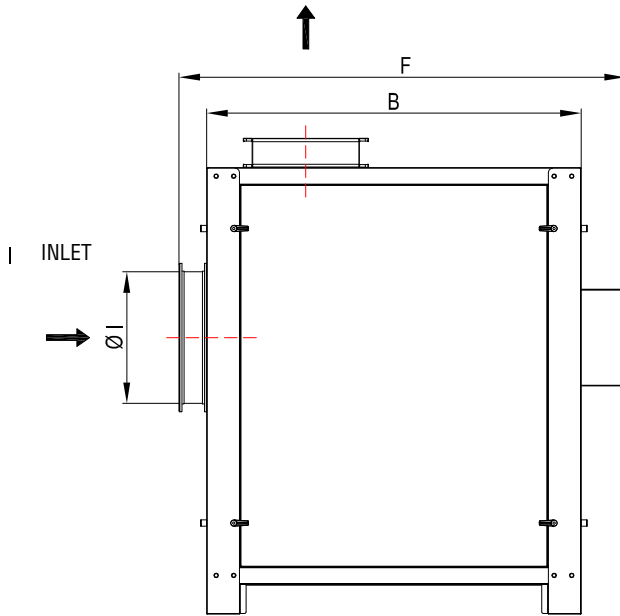
MQ SERIES BOX



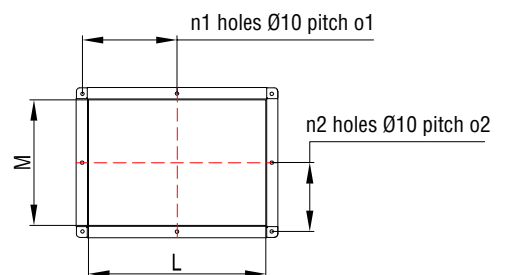
The soundproofing boxes cover a wide range of use and are carefully designed to achieve an effective noise attenuation of each type of fan. The external structure is entirely made of zinc-coated sheet steel panels. The use of high quality soundproof materials, allows a considerable attenuation of sound energy. The Tama's boxes are equipped with suction and line anti-vibration joints, and anti-vibration frames for fan placement.



MQ SERIES BOX



OUTLET



Modello	A [mm]	B [mm]	C [mm]	D [mm]	E [mm]	F [mm]	G [mm]	H [mm]	I [mm]
BOX MQ 310 - 1.1	900	800	955	1055	600	1050	545	316	307
BOX MQ 310 - 1.5	900	800	955	1055	600	1050	545	316	307
BOX MQ 350 - 1.5	950	800	1035	1135	650	1050	585	332	317
BOX MQ 350 - 2.2	950	800	1035	1135	650	1050	585	332	317
BOX MQ 400 - 3	1000	900	1115	1215	700	1150	635	349	329
BOX MQ 400 - 4	1000	900	1115	1215	700	1150	635	349	329
BOX MQ 450 - 5.5	1100	950	1210	1310	760	1200	690	369	343
BOX MQ 450 - 7.5	1100	950	1210	1310	760	1200	690	369	343
BOX MQ 500 - 11	1200	1100	1290	1390	800	1350	745	390	359
BOX MQ 500 - 15	1200	1100	1290	1390	800	1350	745	390	359
BOX MQ 500 - 1.1	1200	950	1290	1390	800	1200	745	390	359
BOX MQ 500 - 1.5	1200	950	1290	1390	800	1200	745	390	359
BOX MQ 560 - 18.5	1350	1250	1400	1500	870	1500	805	415	379
BOX MQ 560 - 22	1350	1250	1400	1500	870	1500	805	415	379
BOX MQ 560 - 2.2	1350	1000	1400	1500	870	1250	805	415	379
BOX MQ 560 - 3	1350	1000	1400	1500	870	1250	805	415	379
BOX MQ 630 - 4	1500	1100	1530	1630	950	1350	885	446	397
BOX MQ 630 - 5.5	1500	1100	1530	1630	950	1350	885	446	397
BOX MQ 710 - 7.5	1700	1250	1500	1600	870	1500	985	485	418
BOX MQ 710 - 11	1700	1250	1500	1600	870	1500	985	485	418
BOX MQ 800 - 15	1900	1350	1645	1745	955	1600	1080	520	443
BOX MQ 800 - 18.5	1900	1350	1645	1745	955	1600	1080	520	443
BOX MQ 900 - 30	2100	1550	1810	1910	1050	1800	1190	560	477
BOX MQ 900 - 37	2100	1550	1810	1910	1050	1800	1190	560	477
BOX MQ 1000 - 45	2250	1700	1990	2090	1150	1950	1320	610	510
BOX MQ 1000 - 55	2250	1700	1990	2090	1150	1950	1320	610	510

Modello	LxM [mm]	n1	o1 [mm]	n2	o2 [mm]	ØP [mm]	ØP axis [mm]	ØP est [mm]	Ø [num]
BOX MQ 310 - 1.1	260x185	2	288	2	213	220	251	278	6 fori Ø10
BOX MQ 310 - 1.5	260x185	2	288	2	213	220	251	278	6 fori Ø10
BOX MQ 350 - 1.5	290x205	2	318	2	233	250	281	308	6 fori Ø10
BOX MQ 350 - 2.2	290x205	2	318	2	233	250	281	308	6 fori Ø10
BOX MQ 400 - 3	320x230	3	174	2	258	280	313	338	6 fori Ø10
BOX MQ 400 - 4	320x230	3	174	2	258	280	313	338	6 fori Ø10
BOX MQ 450 - 5.5	360x255	3	194	2	283	315	346	373	6 fori Ø10
BOX MQ 450 - 7.5	360x255	3	194	2	283	315	346	373	6 fori Ø10
BOX MQ 500 - 11	400x290	3	214	2	318	350	381	408	8 fori Ø10
BOX MQ 500 - 15	400x290	3	214	2	318	350	381	408	8 fori Ø10
BOX MQ 500 - 1.1	400x290	3	214	2	318	350	381	408	8 fori Ø10
BOX MQ 500 - 1.5	400x290	3	214	2	318	350	381	408	8 fori Ø10
BOX MQ 560 - 18.5	450x320	3	239	3	174	400	433	458	8 fori Ø10
BOX MQ 560 - 22	450x320	3	239	3	174	400	433	458	8 fori Ø10
BOX MQ 560 - 2.2	450x320	3	239	3	174	400	433	458	8 fori Ø10
BOX MQ 560 - 3	450x320	3	239	3	174	400	433	458	8 fori Ø10
BOX MQ 630 - 4	510x360	3	269	3	194	450	480	508	10 fori Ø10
BOX MQ 630 - 5.5	510x360	3	269	3	194	450	480	508	10 fori Ø10
BOX MQ 710 - 7.5	570x400	3	299	3	214	500	532	558	10 fori Ø10
BOX MQ 710 - 11	570x400	3	299	3	214	500	532	558	10 fori Ø10
BOX MQ 800 - 15	640x450	4	223	3	239	550	585	615	12 fori Ø10
BOX MQ 800 - 18.5	640x450	4	223	3	239	550	585	615	12 fori Ø10
BOX MQ 900 - 30	715x510	4	248	3	269	630	670	700	12 asole Ø10x20
BOX MQ 900 - 37	715x510	4	248	3	269	630	670	700	12 asole Ø10x20
BOX MQ 1000 - 45	800x570	4	276	3	299	710	750	780	12 asole Ø10x20
BOX MQ 1000 - 55	800x570	4	276	3	299	710	750	780	12 asole Ø10x20

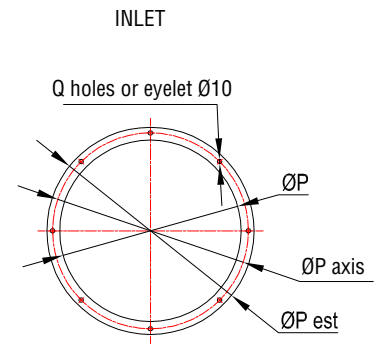
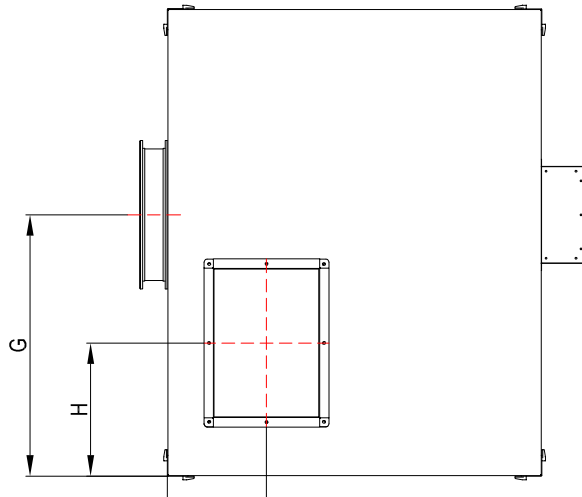
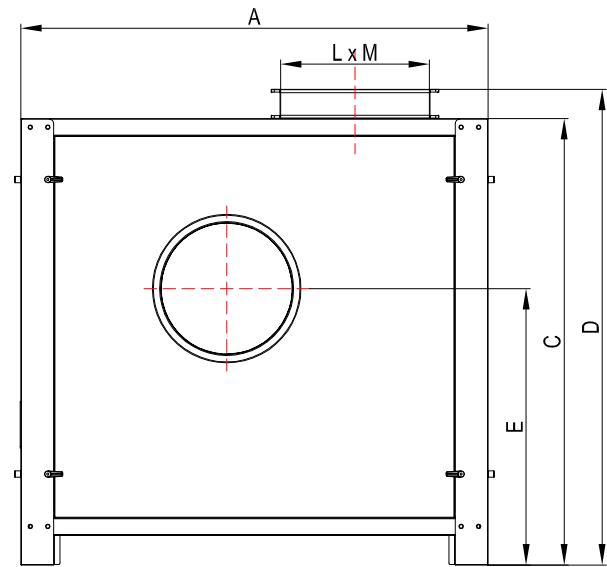
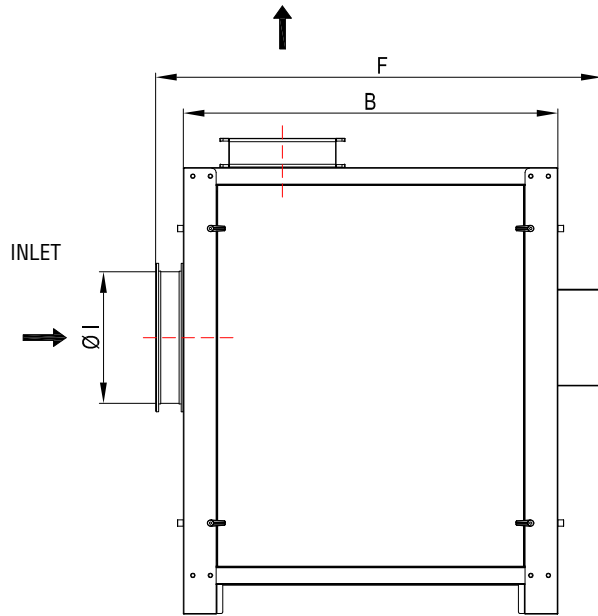
AQ SERIES BOX



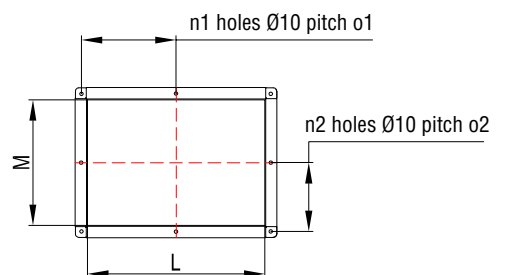
The soundproofing boxes cover a wide range of use and are carefully designed to achieve an effective noise attenuation of each type of fan. The external structure is entirely made of zinc-coated sheet steel panels. The use of high quality soundproof materials, allows a considerable attenuation of sound energy. The Tama's boxes are equipped with suction and line anti-vibration joints, and anti-vibration frames for fan placement.



AQ SERIES BOX



OUTLET



Modello	A [mm]	B [mm]	C [mm]	D [mm]	E [mm]	F [mm]	G [mm]	H [mm]	I [mm]
BOX AQ 310 - 2.2	900	800	955	1055	600	1050	545	349	319
BOX AQ 350 - 3	950	800	1035	1135	650	1050	585	369	332
BOX AQ 400 - 4	1000	1050	1115	1215	700	1300	635	390	349
BOX AQ 400 - 5.5	1000	1050	1115	1215	700	1300	635	390	349
BOX AQ 400 - 0.55	1000	850	1115	1215	700	1100	635	390	349
BOX AQ 450 - 7.5	1100	1150	1210	1310	760	1400	690	415	365
BOX AQ 450 - 11	1100	1150	1210	1310	760	1400	690	415	365
BOX AQ 450 - 0.75	1100	950	1210	1310	760	1200	690	415	365
BOX AQ 450 - 1.1	1100	950	1210	1310	760	1200	690	415	365
BOX AQ 500 - 15	1200	1250	1290	1390	800	1500	745	442	385
BOX AQ 500 - 18.5	1200	1250	1290	1390	800	1500	745	442	385
BOX AQ 500 - 1.5	1200	1050	1290	1390	800	1300	745	442	385
BOX AQ 500 - 2.2	1200	1050	1290	1390	800	1300	745	442	385
BOX AQ 560 - 3	1350	1100	1400	1500	870	1350	815	483	407
BOX AQ 560 - 4	1350	1100	1400	1500	870	1350	815	483	407
BOX AQ 630 - 5.5	1500	1200	1530	1630	950	1450	890	517	432
BOX AQ 630 - 7.5	1500	1200	1530	1630	950	1450	890	517	432
BOX AQ 710 - 11	1700	1400	1680	1780	1050	1650	985	558	459
BOX AQ 710 - 15	1700	1400	1680	1780	1050	1650	985	558	459
BOX AQ 800 - 18.5	1900	1550	1840	1940	1150	1800	1090	612	489
BOX AQ 800 - 22	1900	1550	1840	1940	1150	1800	1090	612	489
BOX AQ 900 - 37	2100	1700	1810	1910	1050	1950	1195	657	524
BOX AQ 900 - 45	2100	1700	1810	1910	1050	1950	1195	657	524
BOX AQ 1000 - 55	2250	1950	1990	2090	1150	2200	1320	713	562
BOX AQ 1000 - 75	2250	1950	1990	2090	1150	2200	1320	713	562

Modello	LxM [mm]	n1	o1 [mm]	n2	o2 [mm]	ØP [mm]	ØP axis [mm]	ØP est [mm]	Q [num]
BOX AQ 310 - 2.2	290x205	2	318	2	233	315	346	373	6 fori Ø 10
BOX AQ 350 - 3	320x230	3	174	2	258	350	381	408	6 fori Ø 10
BOX AQ 400 - 4	360x255	3	194	2	283	400	433	458	8 fori Ø 10
BOX AQ 400 - 5.5	360x255	3	194	2	283	400	433	458	8 fori Ø 10
BOX AQ 400 - 0.55	360x255	3	194	2	283	400	433	458	8 fori Ø 10
BOX AQ 450 - 7.5	450x320	3	239	3	174	450	480	508	10 fori Ø 10
BOX AQ 450 - 11	450x320	3	239	3	174	450	480	508	10 fori Ø 10
BOX AQ 450 - 0.75	450x320	2	239	3	174	450	480	508	10 fori Ø 10
BOX AQ 450 - 1.1	450x320	3	239	3	174	450	480	508	10 fori Ø 10
BOX AQ 500 - 15	510x360	3	269	3	194	500	532	558	10 fori Ø 10
BOX AQ 500 - 18.5	510x360	3	269	3	194	500	532	558	10 fori Ø 10
BOX AQ 500 - 1.5	510x360	3	269	3	194	500	532	558	10 fori Ø 10
BOX AQ 500 - 2.2	510x360	3	269	3	194	500	532	558	10 fori Ø 10
BOX AQ 560 - 3	570x400	3	299	3	214	550	585	615	12 fori Ø 10
BOX AQ 560 - 4	570x400	3	299	3	214	550	585	615	12 fori Ø 10
BOX AQ 630 - 5.5	640x450	4	223	3	239	630	670	700	12 asole Ø10x20
BOX AQ 630 - 7.5	640x450	4	223	3	239	630	670	700	12 asole Ø10x20
BOX AQ 710 - 11	715x510	4	248	3	269	710	750	780	12 asole Ø10x20
BOX AQ 710 - 15	715x510	4	248	3	269	710	750	780	12 asole Ø10x20
BOX AQ 800 - 18.5	800x570	4	276	3	299	800	840	870	16 asole Ø10x20
BOX AQ 800 - 22	800x570	4	276	3	299	800	840	870	16 asole Ø10x20
BOX AQ 900 - 37	900x640	5	232	4	223	900	940	970	16 asole Ø10x20
BOX AQ 900 - 45	900x640	5	232	4	223	900	940	970	16 asole Ø10x20
BOX AQ 1000 - 55	1000x715	5	257	4	248	1000	1040	1081	16 asole Ø10x20
BOX AQ 1000 - 75	1000x715	5	257	4	248	1000	1040	1081	16 asole Ø10x20